




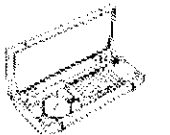


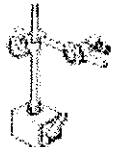

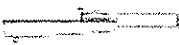












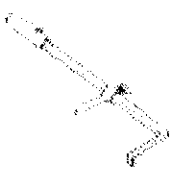


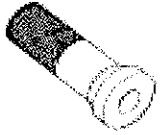
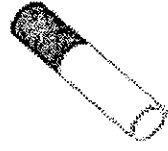




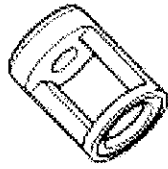

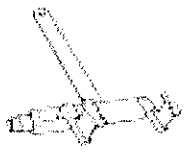



SPECIAL TOOLS


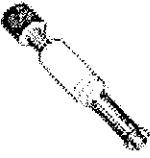

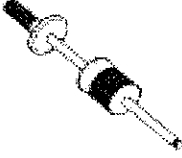
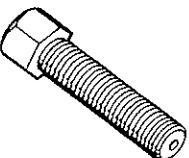

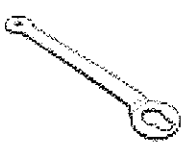


Special tools	Part Number · Part Name · Description
	09900-20101 Vernier Caliper Used to conveniently measure various dimensions.
	09900-20201 Micrometer(0~25mm) Used for precise measurement (00~25mm measure ranges).
	09900-20202 Micrometer(25~50mm) Used for precise measurement (25~50mm measure ranges).
	09900-20203 Micrometer(50~75mm) Used for precise measurement (50~75mm measure ranges).
	09900-20204 Micrometer(75~100mm) Used for precise measurement (75~100mm measure ranges).
	09900-20508 Cylinder gauge set Measure inside diameter of cylinder.
	09900-20605 Dial calipers Measure width of conrod big-end.
	09900-20606 Dial gauge Measure oscillation of wheel with using magnetic stand.
	09900-20701 Magnetic stand With using dial gauge.








Special tools	Part Number · Part Name · Description
	09900-20806 Thickness gauge Measure clearance of piston ring.
	09900-21109 Torque wrench Measure torque of tightening.
	09900-21304 V-block With using magnetic stand.
	09900-22301 Plastigauge Measure clearance of crankshaft thrust.
	09900-22401 Small bore gauge Measure inside diameter of conrod small-end.
	09900-25002 Pocket tester Measure voltage, electric current, resistance.
	09900-25008 Multi circuit tester set Inspect thermo-switch or temperature sensor.
	09900-26006 Engine tachometer Measure rotational frequency of engine.
	09900-28107 Electro tester Inspect ignition coil.

Special tools	Part Number · Part Name · Description
	09910-20115 Crankrod holder Used to lock the crankshaft.
	09910-32812 Crankshaft installer Used to install the crankshaft in the crankcase.
	09910-32813 Crankshaft installer adapter Used to with the crankshaft installer.
	09910-34510 Piston pin puller Use to remove the piston pin.
	09913-10760 Fuel level gauge Measure height of carburetor.
	09913-50121 Oil seal remover Used to remove the oil seal.
	09913-70122 Bearing installer Used to drive bearing in.
	09913-75820 Bearing installer Used to drive bearing in.
	09913-76010 Bearing installer Used to drive crankshaft bearing in.

Special tools	Part Number · Part Name · Description
	09913-80112 Bearing installer Used to drive bearing in.
	09915-63310 Compression gauge adapter Used with compression gauge.
	09915-64510 Compression gauge Measure cylinder compression.
	09915-74510 Oil pressure gauge Measure oil pressure of 4-stroke engine.
	09916-14510 Valve spring compressor Used to remove and remounting valve stem.
	09916-14520 Valve spring compressor attachment Used with valve spring compressor.
	09920-13120 Crankcase separator Separate to crankcase.
	09920-53710 Clutch sleeve hub holder Used to install or remove clutch sleeve hub nut.
	09921-20200 Bearing remover(10mm) Used to remove oil seal or bearing.

8-11 SERVICING INFORMATION

Special tools	Part Number · Part Name · Description
	09921-20210 Bearing remover(12mm) Used to remove oil seal or bearing.
	09923-73210 Bearing remover(17mm) Used to remove bearing with the rotor remove sliding shaft.
	09923-74510 Bearing remover(20~35mm) Used to remove bearing with the rotor remove sliding shaft.
	09930-30102 Rotor remove sliding shaft Used to with bearing remover.
	09930-30165 Rotor remover Used to remove rotor.
	09930-40113 Rotor holder Widely used to lock rotary parts such as a flywheel magneto.
	09930-44510 Rotor holder Widely used to lock rotary parts such as a flywheel magneto.
	09940-10122 Clamp wrench A hook wrench to adjust the steering head of motorcycle.
	09940-34520 T-handle Remove and remounting front fork oil cylinder.

Special tools	Part Number · Part Name · Description
	09940-34561 Front fork assembling tool attachment "D" Used with T-handle.
	09940-50113 Front fork oil seal installer Install front fork oil seal.
	09940H30010 Engine mounting socket wrench (M20) Used to install or remove engine mounting lock nut.
	09940H35010 Engine mounting socket wrench (M26) Used to install or remove engine mounting lock nut.
	09941-34513 Steering race installer Used to install steering outer race.
	09941-50111 Wheel bearing remover Used to remove wheel bearing.
	09943-74111 Front fork oil level gauge Used to drain the fork oil to the specified level.

TIGHTENING TORQUE

ENGINE

ITEM		N · m	kg · m
Coolant temperature sensor		18	1.8
Coolant drain bolt		11 ~ 14	1.1 ~ 1.4
Cooling fan mounting bolt		8 ~ 12	0.8 ~ 1.2
Cooling fan motor mounting bolt		8	0.8
Cooling fan thermo-switch		13	1.3
Radiator mounting bolt		8 ~ 12	0.8 ~ 1.2
Magneto rotor bolt		110 ~ 170	11.0 ~ 17.0
Magneto cover bolt		10	1.0
Muffler mounting bolt		18 ~ 28	1.8 ~ 2.8
Exhaust pipe nut		18 ~ 28	1.8 ~ 2.8
Thermostat case bolt		10	1.0
Starter clutch bolt		23 ~ 28	2.3 ~ 2.8
Cylinder head bolt	M 6	8 ~ 12	0.8 ~ 1.2
	M 10	40 ~ 45	4.0 ~ 4.5
Cylinder head cover bolt		12 ~ 16	1.2 ~ 1.6
Cylinder head base bolt		8 ~ 12	0.8 ~ 1.2
Cylinder base nut		7 ~ 11	0.7 ~ 1.1
Engine sprocket nut		130 ~ 160	13.0 ~ 16.0
Engine oil drain plug		21	2.1
Engine mounting nut		45 ~ 70	4.5 ~ 7.0
Engine mounting lock nut	M 26	70 ~ 80	7.0 ~ 8.0
	M 20	35 ~ 50	3.5 ~ 5.0
Engine mounting bolt		15 ~ 30	1.5 ~ 3.0
Spark plug		11	1.1
Cam chain tensioner bolt		8 ~ 12	0.8 ~ 1.2
Cam chain tension adjuster bolt		8 ~ 12	0.8 ~ 1.2
Crankcase bolt	M 6	11	1.1
	M 8	26	2.6
Clutch sleeve hub nut		40 ~ 60	4.0 ~ 6.0
Primary drive gear nut		40 ~ 60	4.0 ~ 6.0
Camshaft housing bolt		12	1.2
Horn mounting bolt		8 ~ 12	0.8 ~ 1.2